



FUSION SERIES

Circuit Protection Surge Arrestors



Data Specification **2020**



AUSTRALIA WIDE DELIVERY
Expedited delivery to all states in Australia



SAME DAY DISPATCH
Orders prior to 12PM will be dispatched the same day



5 YEAR WARRANTY
You can get a trusted 5 Year In House Warranty with CSG

[DESCRIPTION]

The FUSION Series range of surge arrestors have been designed to comply with IEC 61643.1 and are made from the highest grade components to ensure reliability in all applications where protection against lightning strikes and power surges is required. The feature and design of these surge protectors make them the perfect compliment to ensure your home is protected. They have a high discharge capacity and are able to detect surges in nanoseconds. Replacement insert modules are also available.

[FEATURES]

- FAILED Indicator
- 18mm Width
- 35mm DIN Rail Mounting
- High Discharge Capacity

[TECHNICAL PARAMETERS]

- Rated Voltage: 320V/385V AC
- Rated Frequency: 50/60Hz
- Cable Termination: 10mm²
- Torque of Screw: 1.2Nm
- Complies with:
IEC 61643.1

[APPROVALS]

ESV Compliant

[IMAGES]



SP320-20

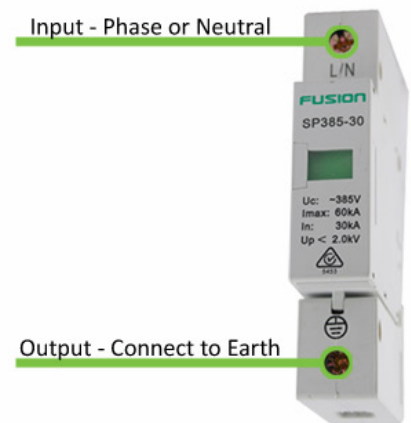
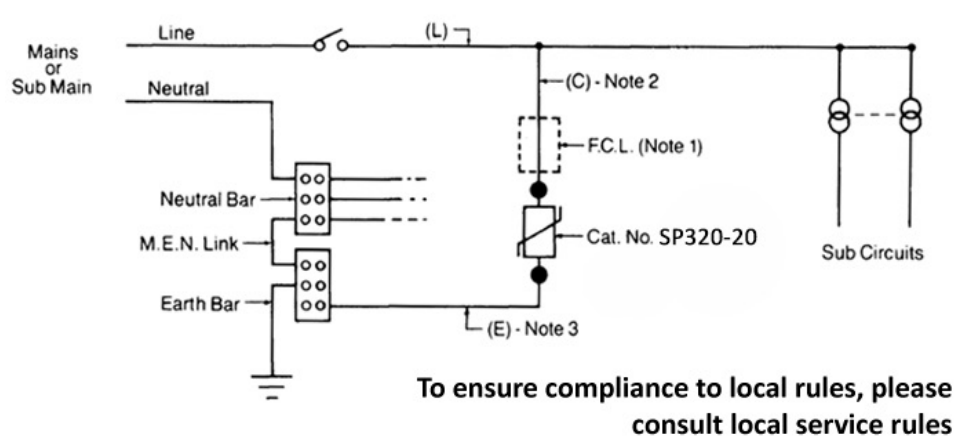


SPM385

[SPECIFICATIONS]

Product Code	Description	Poles	Voltage (V)	kA Rating
SO320-20	Surge Protector	1	320V	20kA
SP385-30	Surge Protector	1	385V	30kA
SPM320-20	Replacement Insert Module	-	320V	20kA
SPM385-30	Replacement Insert Module	-	385V	30kA

[WIRING DIAGRAM]



Notes:

1. Where the Main or Submain's Fault Current Limiter exceeds 100A, an additional F.C.L must be used as shown above (e.g: equal to or less than a 100A HRC Fuse to AS2005)
2. If the Main or Submain Cable(L) exceeds 25mm² cable(C) must not be less than 16mm². In all other cases, cable(C) should be at least 6mm².
3. Wire (E) must not be less than 6mm².
4. Where outbuildings are to be supplied from the main board containing SP Surge Protector, the outbuilding will require its own protection, however SP Surge Protector will be required to protect both Line and Neutral. (In the main building the M.E.N connection protects the Neutral wire.)

[WARRANTY]

Connected Switchgear FUSION series of product come with a trusted 5 Year In House Warranty. That means that you have peace of mind knowing that if a fault develops within a five year period, Connected Group Australia will cover the cost of replacing the product and it's installation.*

* See our website for full terms and conditions www.connectedswitchgear.com.au

FUSION